

PAARAgraphs



The Official Newsletter of the

Palo Alto Amateur Radio Association, Inc.

The Friendliest Club Around

Celebrating 85 years as an *active* amateur radio club—Since 1937

<http://www.paara.org/>



Bioenno Batteries and Specifications

Kevin Zanjani

Kevin Zanjani is the National Sales Manager with Bioenno Power. His presentation will discuss LiFePO4 batteries and solar applications for Amateur Radio Applications. Bioenno Power products has been profiled in various articles including QST and CQ magazines. This exciting presentation will discuss applications of the batteries and some frequently asked questions.

**This meeting will be a
Hybrid Meeting
Zoom and In Person**

Time: **September 9, 2022** 07:00 PM Pacific Time
Please check <https://www.paara.org> for
Zoom Details

QST...QST...QST

Rob Fenn, KC6TYD

Our guest speaker for October 7th will be talking about GoBoxes. This presents a great opportunity for those of you who have made a GoBox to bring it to the October meeting and show it off. We won't have time for individual presentations, but we'll have a table where all the GoBoxes can be displayed and during the intermission folks can view and ask the builders questions.

Upcoming Events

Sept 9*** Oct 7 Nov 4	PAARA General Meeting, 7:00 PM In-Person and Zoom Meeting *** Zoom & IRL Meeting
Sept 21 Oct 19 Nov 16	Board Meeting, 7:00 PM. Everyone welcome! Zoom Meeting, eMail President for details!
Cancelled	Electronic Flea Market

President's Corner

September 2022

Wow, even though retired, it's still hard to wrap my fingers around it being the unofficial end of summer already! As the first Friday of September is on Labor Day weekend, the September general meeting is being held on the 2nd Friday, September 9th!

We hope everyone has an enjoyable and safe Labor Day Holiday no matter what you end up doing. As for me, I finally brought the Motorhome and Bronco back to the BA on the 21st. I only came home in the Bronco for the August meeting and to get a few things done around the home QTH before heading back out again. I doubt I'll be going anywhere, though I'm already thinking about my next trip.

I received an informative email from Ron Chester, W6AZ, about an interesting Software Defined QRP radio kit (the T41-EP) that's close to

(President — Continued on page 4)



Six Meters to the Rescue de Rich, W6APZ

It was an ice cold but sunny winter day in Chicago and I was happily tuning the six-meter band on my car radio on my work commute when suddenly I heard an unexpected emergency call.

Back in the 1960s, operating on the amateur six-meter band was considered pushing the envelope of what hams could do. International Crystal company made a two-tube PC board converter which would convert the six-meter band to your HF radio so one could hear who was talking on six meters. A 6AK5 tube was the RF amplifier and half of a 6J6 was the oscillator while the other half of the 6J6 was the mixer, providing an untuned output. Sensitivity was advertised at one micro-volt minimum which was very good for the 1960s. See Figure 1.

I bought one of these converters with a crystal that converted 50.0 to 51.0 MHz to the broadcast band so I could listen to six while in the car. The automobile antenna, while not a full quarter-wave for six, functioned to receive the band.

For the transmitter, I used a surplus 8.38 MHz FT-243 crystal operating as a third overtone oscillator putting out 25.15 MHz. Since surplus crystals were usually not exactly where I wanted them, I unscrewed the holder and using some carbon-tetrachloride and a rough surface, I was able to grind off enough of the crystal to move its frequency up to where I wanted it. I was then able to multiply the 25.15 MHz signal to 50.3 MHz in the final. I used a pair of

12AU6s as the modulator and a transistorized DC/DC converter for the high voltage needed by the vacuum tubes.

I was commuting from the North side of Chicago via Lakeshore Drive to Knight Electronics, which was then located just south of downtown. Proud of my new mobile set up, I had made a schedule with a fellow ham to talk to him on my commute. I had no idea how far my few watts on six using the car broadcast antenna would communicate, but that's what ham radio is all about: build it, try it; if it works, it is a success! Then one can try to improve the set up.

On the drive I was calling my friend every few miles but I heard nothing. Suddenly, his signal came through loud and clear. He had an emergency: he was

trapped in his car at Navy Pier, which was then being used as a branch of the University of Illinois. Asking him to explain the problem, he told me that he had pulled into one of the few parking places available at the Pier, but he found himself between a fence on one side and another car on the

other. He quickly realized that he was parked on ice so could not back out. He had no way to open his car door to get to class. He was stuck in his car!

Fortunately, Lakeshore Drive went right past Navy Pier, so I assured him that I would be there shortly and see what I could do. Using the radio, he talked me into his exact location, and sure enough, he was between a fence and a Renault Dauphine and he could not get out. Being only a small car, I tried to push the Re-

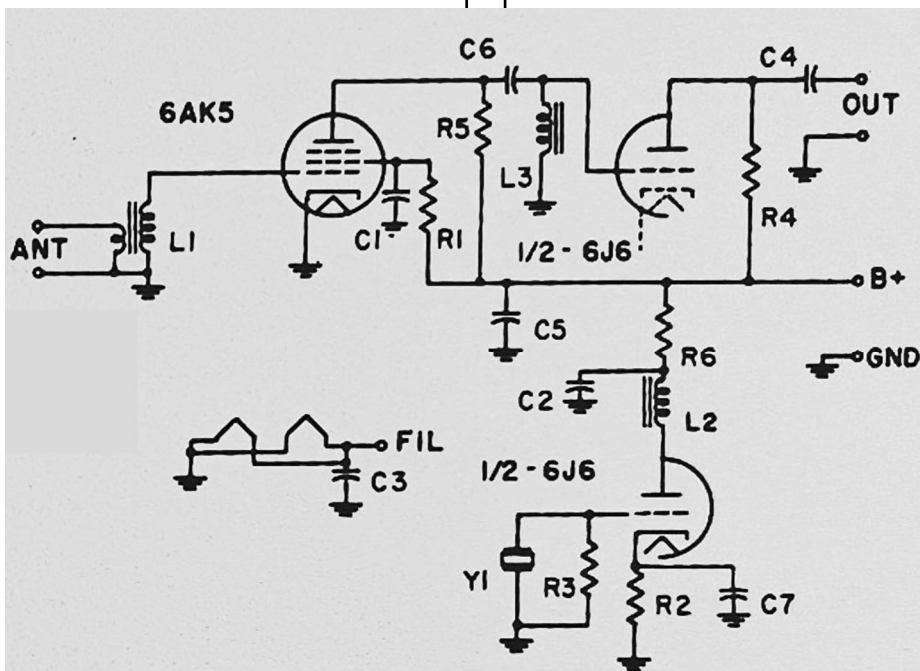


Fig 1 — converter schematic

Field Day of the CARS Group of Calaveras County Walt Gyger, K6WGY

Our station near the Bear Valley Ski Resort, what is not seen is the 40-10 m dipole that performed very well during the morning hours on 40 meters.



Fig 1 — CARS Group Field Day Setup

An Afternoon thunder and lightening storm made the crew take down our operation.



Fig 2 — Afternoon Thunder and Lightening Storm

Thanks for your participation; Mark Godbot N6IV, Aaron Keese KN6QBY, Mike Grcevich KB6USJ, Walt Gyger K6WGY, Thomas Bradshaw KN6TQY, Kelly Greene KN6TQZ, Jeff Tatum KN6UUF

(Six Meters — Continued from page 2)

nault, but it would not move. Also fortunately, I happened to be driving a Renault Dauphine, so on a hunch, I tried my key in the door of the car next to him and it WORKED! The door opened and I was able to release the brake, but my key would not work in the ignition.

I was then able to push the Renault back so he could get out. Then the two of us pushed the Renault back into place and reset the brake. As I relocked the Renault door, my friend said that he knew the owner of the Renault and would see him in class, so he would be able to get his car out later in the day.

The radio rescue was a success! I continued on my way to work as he went off to class.

Rich Stiebel, W6APZ

August Board Meeting Minutes

Present were President Jim Thielemann K6SV, Vice President Rob Fenn KC6TYD, Secretary Ric Hulett N6AJS, Treasurer Bob Korte KD6KYT, and Directors Doug Teter KG6LWE, Darryl Presley KI6LDM, Joel Wilhite KD6W and Walt Gyger K6WGY. Also in attendance was Mikko Sannala AB6RF. The meeting was called to order at 7:12 pm

President's Report: Remember that the September meeting is on September 9, not the second!

How do we get the in-person attendance to increase? Recent meetings attendance has been balanced between online and IRL, but we would like to see more people at Cubberly. The attendees seem to enjoy themselves, and we did have 3 new hams in attendance last month.

The board discussed this topic. We decided that the December meeting (Dream-To-Reality raffle and elections) will be in-person only, as will the "Homebrew night" meeting which will be in March.

Secretary's Report: We are coming to the last part of the year: Members should renew their memberships starting now. Visit <https://paara.org/pages/members-current.html> to renew via PayPal or by mail. Dues remain at \$25.00 per year.

(Minutes — Continued on page 4)

(Minutes — Continued from page 3)

Treasurer's Report: The club has made disbursements to Joel for video gear purchases, PIP printing for PAARAgaphs, Mikko for coffee/snacks, and Ric for postage. We are expecting an invoice from the badge engraving company.

Income was from memberships, badge purchases, and the raffle.

VP / Program Chair Report: Our Zoom speaker for the October meeting is Kevin Zanjani, KI6DHQ from Bienno Power. His topic is "Bioenno Batteries and Specifications".

October will also be "Go-Box night": If you have a prepared "go box" or kit, bring it to the meeting to share with the members.

November's speaker will be Mikko AB6RF.

Old Business

We have an ongoing need for PAARAgaphs stories and articles. There are a few in the hopper, but we always need more of your stories.

Education committee: We need to identify some Elmers, and revise the education outline.

Darryl has a beginning "what is amateur radio" presentation.

Storage for Gerry: Doug and Jim need to meet Gerry to look at the pile of "PAARAstuff" and come up with a course of action. We expect to meet in September.

Our accountant has the books up to date. Required filings are in, and the books for 2021 are complete.

PAARA equipment for sale: Rob will review our inventory, and make price adjustments as appropriate.

85th year event: We received 45 responses to our interest survey. Most members favor a weekend barbecue/picnic, with radio. We agreed on a date of October 29: Unfortunately, Rengstorff and Cuesta parks are not available on that date. The board is looking into alternative sites.

Los Altos antennas & towers removal request, Doug will set up a meeting in September to visit the site and evaluate.

Pacificon special event station, Mikko: This year we will have a mix of different radios at

W1AW/6. Amplifiers are TBD. We will need to obtain some headsets as well. We will arrange an antenna day for Pacificon preparation. Members should be ready to volunteer to man W1AW/6, and to help out on antenna day.

New Business

Should we add the "Friendliest Club Around" tag line to PAARAgaphs? This was approved by acclamation.

It's election time

The 2022 Election Chair will be announced at the September meeting.

Members who would like to run for office can speak to that person, or to any board member.

The meeting was adjourned at 9:25 pm.

Respectfully submitted

Ric Hulett N6AJS

(President — Continued from page 1)

hitting the market. Generally, it's a 5-band radio (80, 40, 20, 15, 10M) with a 1 ~ 20w output. Ron's informative blog about the radio is here:

<http://w6az.com/users/W6AZ/2022/08/09/anExplosionOfCreativity.html>.

Four State QRP group is working on the kit (SMD parts are already soldered onto the boards) with is estimated to cost about \$320.

Their info is here: <http://www.4sqr.com/T41main.php>.

They call it an "experimenter's platform" partly due to the kit nature of the radio and the open platform which has quite the list of features. If there are enough members interested in acquiring the radio once it's available, maybe we can have a group build party.

October is fast approaching. I hope everyone has registered for Pacificon on October 14 ~ 16th. It's our one and only local Hamvention. If you have not registered, here's the link:

<https://www.pacificon.org/registration/attendees>.

As we have for the past several years, we will once again be hosting the Special Event Station, W1AW/6. This is your one opportunity to use the W1AW call sign without traveling to the ARRL HQ. Thanks go out to Mikko, AB6RF, for

(President — Continued on page 5)

(President — Continued from page 4)

being the station captain and putting the whole thing together. Please reach out to him if you wish to participate in the antenna party to put the antenna together before the event and make sure it's working up to expectations. The antenna party will be a one-day event held at Doug's, KG6LWE, in San Martin, a few weeks ahead of October 14th. He also needs people to assist in setting up, taking down and most importantly staffing the station during the operating hours of noon on the 14th to midnight on the 15th. Assisting in any part of the event is a great way to learn about setting up and operating a large event station and helping the club.

Speaking of Hamvention's, have you registered for the QSO Today Expo? I mentioned before that it's an online-only expo you can watch from any location. Additionally, there are a vast array of different seminars from around the world that you can view for a month after the event. The event is being held on September 17-18th. Registration is \$10. Here's the link:

<https://qsotoday.vfairs.com/en/registration-form>

September is the start of election month. I'm waiting on confirmation that the member I appointed to serve as the election chair is willing to run the elections. I'll announce them at the September meeting. Nominations for all of the officers and three of the director's positions will open at the September meeting and remain open until the end of the November meeting. At the end of the November meeting, the election slate will be set and nominations closed. The election slate will be published in the December issue of PAARAgaphs. Elections will be held during the December meeting. You must be a current member in good standing and at the meeting to vote. The results of the vote will be announced just before the close of the December meeting.

As December is election month and we have the annual Dream to Reality raffle where the grand prize is an HF radio, the board after considerable discussion regarding the importance of this meeting, decided to make it an in-person meeting only. We're hoping to have a large turnout for this meeting with many members and guests making eyeball QSO's for the first time in quite some time. There may be a few other surprises so make sure to mark your calendar for

the December 2nd in-person-only meeting. You have a little time to salt away a few extra dollars for the raffle you will improve your odds of going away with a new radio for Christmas!

As part of the December meeting in-person discussion, the board also decided to move the Home Brew night from January to March and also have it as an in-person-only meeting. We felt the interaction between the makers and the attendees was better served in person than via zoom. There hasn't been the same energy during the past combined meetings when someone is showing their project over zoom. So, mark your calendars for March 3rd, 2023, as the date to bring your Home Brew items to show everyone what you've been creating in your "spare" time.

If you remember last month, Cubberly was re-roofing the "H" wing where our meeting room is located. On the 23rd, I took a spin by to see what the status was. It looks like the project is complete and the final cleanup work is being done. There were only 4 parking spots blocked off. I anticipate by the time of our September meeting all the spaces will once again be open.

Thanks go out to those who responded to the 85th-year questionnaire regarding some kind of celebratory event PAARA may host. We are working hard to locate a venue and a date to hold the event. Stay tuned for more information. Check into the Monday 8:30PM net as that's likely the first place you'll learn of the details. We're currently targeting October 29th but haven't found a venue with that date available. Breaking news, we're waiting for final confirmation from the City of Cupertino but we were able to make reservations at Memorial Park for the 29th. They do allow antennas and generators which were two stumbling blocks of many locations. Stay tuned for complete confirmation and details of the event. Yes, there will be radios and food at the event, very similar to our FD event but using a special call sign. Thanks go to Darryl, K16LDM, for finding a probable location for the event.

I look forward to seeing everyone at the September 9th meeting.

73, Jim K6SV

Get on the air to keep the airwaves alive!



August Raffle Winners

Left to Right

- 1st prize Rachael — Dremel Versatip Butane Soldering Torch
 4th prize Darryl — Anderson Powerpoles
 2nd & 3rd prize Ben — Powerwerx Precision Watt Meter & Power Analyzer; Signal Stick ½ wave dual band antenna

For Sale: Complete Drake TR-4Cw/RIT package: TR-4Cw/RIT with 34-pnb, RV4, AC4, DC4, Ameritron ATR-20 tuner, D104 mic and more.

All in excellent operating and cosmetic condition, all re-capped. Core station had a spa visit with Ron Baker 2/2021.

Cash sale, pick-up in Menlo Park, no returns. Price to be negotiated.

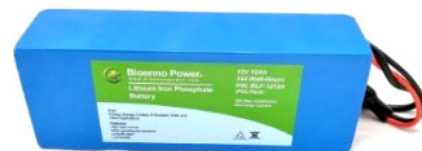
See here: <https://forums.grz.com/index.php?threads/tr-4cw-rit-rv-4c-ac-4-plus-a-bunch-more.827095/>

73, Bob WO6W wo6w@arrl.net

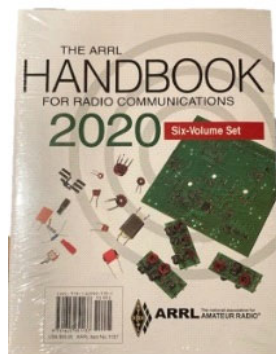
PAARA



1st Prize Bioenno Power Lithium Iron Phosphate Battery, 12v, 12 Ah



2nd Prize ARRL Handbook Six-Volume Set.



3rd Prize Olight swivel light.



4th Prize PAARA cap



Palo Alto Amateur Radio Association, Inc.

PO Box 911 Menlo Park, CA 94026

Officers

President	Jim Thielemann, K6SV	408-839-6815
	thielem@pacbell.net	
Vice President	Rob Fenn, kc6tyd	650-888-9060
	kc6tyd@gmail.com	
Secretary	Ric Hulett, N6AJS	408-332-4593
	energyconserved@sbcglobal.net	
Treasurer	Bob Korte, KD6KYT	408 396 4745
	bob@rgktechsales.com	

Directors

Director ('21-'22)	Joel Wilhite, KD6W	408-839-5948
	kd6w@arrl.net	
Director ('20-'21)	Walt Gyger, K6WGY	408-921-5901
	walt@tradewindsaviation.com	
Director ('21).....	Doug Teter, KG6LWE	650-743-7892
	dteter@wvci.com	
Director ('21).....	Darryl Presley, KI6LDM	650 255-2454
	ki6ldm@arrl.net	

Appointed Positions

Membership.....	Vic Black, AB6SO	650-366 0636
	ab6so@smrn.com	
Database	Ric Hulett, N6AJS	408-332-4593
	energyconserved@sbcglobal.net	
Chaplain	Rick Melrose K6RDM	408-341-9070
	K6RDM@yahoo.com	
Public Affairs	<i>Position Vacant</i>	
Station Trustee W6OTX, W6ARA....	Gerry Tucker, N6NV	
Station Trustee K6YQT..	Doug Teter, kg6lwe	650-743-7892
Station Trustee K6OTA...	Ron Chester, W6AZ	
Property Manager	Gerry Tucker, N6NV	
Badge Coordinator	Doug Teter, kg6lwe	650-743-7892
	dteter@wvci.com	
Historian Position	<i>Position Vacant</i>	
Raffle Coordinators	Rob Fenn, kc6TYD,	rtyd@aol.com
	Shrikumar, KA6Q	
	shri.paara@enablery.org	
Field Day Coordinator ...	Doug Teter, kg6lwe	650-743-7892
ASVARO Rep.....	Clark Martin, KK6ISP	
	kk6isp@comcast.net	
Webmaster	John Miller K6MM	
	webaron@gmail.com	
Technical Coordinator ...	Joel Wilhite, KD6W	408-839-5948
	kd6w@arrl.net	
QSL Manager.....	Marty Wayne, W6NEV	408-234-8023
Speaker Coordinator	Rob Fenn, kc6tyd	650-888-9060

PAARAgaphs Staff

Editorial Board	Bob Van Tuyl K6RWY	Kristen McIntyre K6WX
	Ron Chester W6AZ	Vic Black AB6SO
	Joel Wilhite, KD6W	Jim Thielemann K6SV
Editor	Bob Van Tuyl, K6RWY	408 799-6463
	rrvt@swde.com	
Back Up Editor	Jim Thielemann, K6SV	408-839-6815
	thielem@pacbell.net	
Advertising.....	Walt Gyger, K6WGY	408-921-5901
	walt@tradewindsaviation.com	
Member Profiles	<i>Position Vacant</i>	
Technical Tips	Vic Black, AB6SO	650-366 0636
	ab6so@smrn.com	
Photographer.....	<i>Position Vacant</i>	

VE Exams

Redwood City Main Library, Community Conference Room, 4th Saturday 10:30 am each month and De Anza Park, Sunnyvale, 2nd Saturday 10:30 am each month except November and December. See website for details and exceptions: <http://amateur-radio.org> or Contact Al, WB6IMX@att.net

Electronics Flea Market

Sponsorship by **A.S.V.A.R.O.** — Association of Silicon Valley Amateur Radio Organizations

Second Saturday of month, March-September, 6am-12 noon

Contact: <http://www.electronicfleamarket.com/>

PAARA — Palo Alto Amateur Radio Association

Meets 1st Friday 7:00pm each month at Room H-6, Cubberley Community Center; Net 145.230 - PL 100Hz Mondays at 8:30. See our website at <http://www.paara.org> for more information or contact: Joel Wilhite KD6W, KD6W@ARRL.NET, 650-325-8239

FARS — Foothills Amateur Radio Society

Meets 4th Friday each month at 7:30pm

Contact: <http://www.fars.k6ya.org>

NCDXC — Northern California DX Club

Meets 3rd Thursday 7:30pm each month,

Repeater for member info 147.360, Thursday 8:00PM

Contact: <http://ncdxc.org> or Mike Gavin W6WZ, (650) 851 8699

50 MHz & Up Group

Meets 1st Thursday each month at 7pm in the Summit Room at the Sunnyvale Sports Basement, 1177 Kern Ave, Sunnyvale

Contact: <http://50MhzandUp.org>

San Mateo Radio Club W6UQ.ORG

Meets, 3rd Friday, January through November

Tuesdays, [Directed] Net, 7pm, N6ZX 145.370Hz -600KHz PL107.2Hz

Contact: <http://W6UQ.org/calendar>

SPECS

Southern Peninsula Emergency Communication System

Meets each Monday 8:00pm on Net 145.27, 440.80 MHz

Contact: <http://specsnet.org> or Tom Cascone, KF6LWZ, 650-688-0441

SCARES

South County Amateur Radio Emergency Service

Meets 3rd Thursday 7:30pm each month, Belmont EOC, Belmont City Hall, One Twin Pines Lane, Belmont CA 94002. Net is on 146.445 [PL 114.8] & 444.50 (PL-100) 7:30 Monday evenings. Contact: President Gary D. Aden, K6GDA 650-743-1265 (D), 650- 595-5590 (N)

Web: <http://k6mpn.org> E-mail: pres@k6mpn.org

SCCARA

Santa Clara County Amateur Radio Association

Operates W6UU & W6UU/R, repeater 146.985-pl

Nets: 2m, 7:30pm Mon; 70cm, 10M (28.385) 8PM Thur.

Meets 2nd Mon each month @ 7:30 PM.

ARRL/VEC license testing contact 408-507-4698

SVECS — Silicon Valley Emergency Communications

Operates AA6BT repeater (146.115 MHz+)

contact: <http://www.svecs.net> or Lou Stierer WA6QYS 408 241 7999

TEARS — The Elmer Amateur Radio Society

Dedicated to operational training, knowledge building & FCC exam testing.

KV6R repeater under construction.

Contact: AA6T@ARRL.NET

Most members are Extra Class or VE's. See QRZ dot com/kv6r for class info

WVARA — West Valley Amateur Radio Association

W6PIY six-meter repeater on 52.58MHz. Normally, six-meters is linked with 147 and 223, while 441 and 1286 repeaters are linked.

VHF: 52.58 (-500) 151.4 ctcss UHF:

147.39 (+600) 151.4 ctcss 441.35 (+5.0) 88.5 ctcss

223.96 (+1.6) 156.7 ctcss 1286.20 (-12m) 100.0 ctcss

Meetings are 2nd Wednesday of every month except July, August and December.

Contact: <http://wvara.org>, Bill Ashby N6FFC, 408-267-3118, president@wvara.org

American Red Cross, Santa Clara Valley Chapter

Contact: <http://santaclaravalley.redcross.org> or Scott Hensley KB6UOO, (408) 967 7924 shensley@Novell.com

(Please send changes to PAARAgaphs editor)

This Ad space is available

PAARA Weekly Radio Net

Info and Swap Session
 every Monday evening at 8:30pm
 on the N6NFI 145.230 MHz repeater

Week Control Operator

1 st	Doug - KG6LWE
2 nd	Doug - KG6LWE
3 rd	Ric - N6AJS
4 th	Rob - KC6TYD
5 th	Rob - KC6TYD

If you're interested in trying out at Net Control, Contact Doug, KG6LWE. It's good practice, and lots o' fun! Give it a try.

Cubberley Community Center
 4000 Middlefield Road, Palo Alto, CA 94303
 650/329.2418
 650/856.8756 fax
 www.cityofpaloalto.org

Legend
 Disabled Parking
 Public Pay Telephone

Meeting Location — Middlefield Road between San Antonio and Charleston in Palo Alto. 4000 Middlefield Road

Tribulations about moving?

We Have Seen It All And I Can Help You

Experienced in Residential and Commercial Property, Full time REALTOR since 1975

Call me at Terrace Associates, Inc.

MOBILE 650-274-8155, OFFICE 650-369-7331

KARL DRESDEN, R.E.# DRE 00525686

KJ6GUK General License, PAARA member

777 Woodside Rd., Suite B, Redwood City, CA 94061

Email: KARLDRESDEN@juno.com

Palo Alto Amateur Radio Association P.O. Box 911, Menlo Park California 94026-0911

Club meetings are on the first Friday of each month, 7:00pm at the Room H-6, Cubberley Community Center.

Radio NET & Swap Session every Monday evening, at 8:30pm, on the 145.230 –600 MHz repeater, PL 100Hz.

Membership in PAARA is \$25.00 per calendar year, which includes one subscription to PAARAgaphs \$6 for each additional family member (no newsletter).

Make payment to the
 Palo Alto Amateur Radio Association,
 P.O. Box 911, Menlo Park, CA 94026-0911

Permission is granted to reprint from this publication with appropriate source credit.



THE SKY IS NO LIMIT!

**SCHEDULE YOUR
 INTRODUCTORY
 FLIGHT LESSON TODAY**

AT



**Your One Stop Shop For
 Aviation Services**

- Flight Training
- Aircraft Rental
- Pilot Supplies
- Maintenance
- Aircraft Sales



Contact
 Maya and Walter Gyger
 1-408-729-5100
 mail@tradewindsaviation.com

Address
 2505 Cunningham Ave, San Jose, CA 95148

Information
 www.tradewindsaviation.com

Opening hours
 Monday-Friday: 8 AM – 7 PM; Saturday-Sunday: 8 AM – 6 PM



ARV'S, WA6UUT (SK)
WEDNESDAY
HAM RADIO
LUNCHEON
 Our 15th year!
 - Since May 2, 2007 -
BLACK BEAR DINER
Sunnyvale, California
 415 East El Camino Real
 (Just "North" of South Fair Oaks
 Avenue on El Camino Real)
11:30 AM ~ 3:00 PM
 Website: www.blackbeardiner.com

Many food choices available from the breakfast, lunch or dinner menus. Ample parking is available. Walk in & "bear" left for our location in the restaurant!

NOT A CLUB, CLOSED GROUP OR CLIQUE; AMATEUR RADIO OPERATORS AND FRIENDLY PEOPLE ARE ENCOURAGED TO ATTEND!
 Call in on the N6NFI Repeater, 145.230 MHz, PL® 100Hz

Submit items to
PAARAgaphs
 by the 3rd Wed to:
 rrvt@swde.com
 Text: .doc, .rtf,
 or .txt
 Photos:
 jpg, png or tiff

Subscription
 Problems?
 Contact Database
 Manager:
 Ric Hulett, N6AJS
 408-332-4593
 energyconserved@
 sbcglobal.net



Have you discovered us?
 Silicon Valley's favorite
 brick'n'mortar for components and supplies for prototyping
 (408) 727-3693

Anchor Electronics 2040 Walsh Ave, Santa Clara
 Download our Price List PDF
www.anchor-electronics.com



PowerFlare® safety lights:
 Ultra-rugged 360 degree LED beacon
 for your emergency kit, car, home ...
www.powerflare.com

PAARA W6OTX DMR Repeater Frequencies	
144 – 144.9625 up 2.5 MHz	DMR—NOR CAL Brandmeister Network
440 – 444.475 up 5 MHz	DMR
900 – 927.225 down 25 Mhz PL: 100Hz	On Line

Silicone
RESCUE TAPE
NO ADHESIVE!
NO STICKY RESIDUE!
8,000 V 500° F
 ELEC. INSULATION HEAT RESISTANCE

The highest quality coax sealing tape on the market!

ENTER YOUR SPECIAL COUPON CODE TO GET THE PAARA DISCOUNT
 Order online at www.rescuetape.com - (702) 953-0968

PAARA Badges

In the absence of in person meetings, you can still order a badge from the Club's website, PAARA.org. Go to the bottom of the membership page to order. Badges will be mailed to purchasers, at an additional cost of \$4.95 until we can meet face to face again.

PAARAgaphs Ad Rates

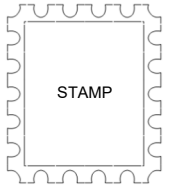
PAARAgaphs accepts paid advertisements from non-members. (short personal ads remain free for members in good standing). All ad rates listed are per issue.

- Not-for-profit ads by association members for ham-related items and wants. No cost for business card-size ads (additional space at \$2.50 per business card size per issue).
- For Profit organizations and/or individuals: \$5-business card size, \$14.00-quarter page, \$25-half page, \$50 full page or back cover per issue.

These fees may be reduced or waived in exchange for a valuable consideration that is given to the Association or its general membership. Such consideration must be in addition to any existing arrangements with the association. The PAARAgaphs editors reserve the right to reject any ad deemed to be not in the best interest of the Association.
 All fees payable in advance by the year with "scanner-ready" copy or text-only ads. Give payment and copy to Walt Gyger, K6WGY.

PAARAgaphs — September 2022

Accept no substitutes. Produced and printed in California USA



Palo Alto Amateur Radio Association, Inc.
 PAARAgaphs Newsletter
 P.O. Box 911
 Menlo Park, California 94026

FIRST CLASS MAIL

Address Service Requested

HAM RADIO OUTLET
 Family owned and operated since 1971
 WWW.HAMRADIO.COM



FTDX101MP | 200W HF/50MHz Transceiver
 • Hybrid SSB Configuration • Unparalleled 70 dB Max. Attenuation VC-Tune • New Generation Scope Display 30SSS • ABL (Active Band Indication) & MPVD (Multi-Purpose VFO Outer Dial) • PC Remote Control Software to Expand the Operating Range • Includes External Power With Matching Front Speaker



FT-891 | HF-50 MHz All Mode Mobile Transceiver
 Rugged construction in an ultra compact body • Stable 100 Watt Output with Efficient Dual Internal Fans • 32-Bit IF DSP Provides Effective and Optimized QRM Rejection • Large Dot Matrix LCD Display with Quick Spectrum Scope • USB Port Allows Connection to a PC with a Single Cable • CAT Control, PTT/RTTY Control



FTM-4000XD | 2W/40 Mobile
 • Color display-green, blue, orange, purple, gray • GPS/APRS • Packet 1200/9600 bit/sec • Spectrum scope • Bluetooth • MicroSD slot • 500 memory per band



FTDX10 | HF/50MHz 100 W SDR Transceiver
 • Narrow Band and Direct Sampling SDR • Down Conversion, 9MHz, IF Filtering Filters Produce Excellent Shape Factor • 5-Full-Color Touch Panel w/30 Spectrum Stream • High Speed Auto Antenna Tuner • Microphone Amplifier w/3-Stage Parametric Equalizer • Remote Operation w/optional LAN Unit (SDI-LAN10)



FTM-300DR | CAFM/FM 144/430MHz Dual Band
 • 50W Ballistic Output Power • Real Dual Band Operation (V-X, U-H, V-L, U-H) • 2-inch High-Res Full Color TFT Display • Band Scope • Built-in Bluetooth • WIRES-X™ Portable Digital Noise Filter Mode with RH-200



FT-70DR | CAFM/FM 144/430MHz Xcvr
 • System Fusion Compatible • Large Front Speaker delivers 700 mW of loud audio output • Automatic Mode Select detects CFM or FM Audio and Switches Accordingly • Holds 1105 Channel Memory Capacity • External DC Jack for DC Supply and Battery Charging



FT-991A | HF/VHF/UHF All Mode Transceiver
 Real-time Spectrum Scope with Automatic Scope Control • Multi-color waterfall display • State of the art 32-Bit Digital Signal Processing System • 3kHz Rolling Filter for enhanced performance • 3.5 inch Full Color TFT USB Capable • Internal Automatic Antenna Tuner • High Accuracy TCXO



FT-2980N1 | Heavy-Duty 80W 2M FM Transceiver
 • Massive heatsink guarantees 80 watts of solid RF power • Loud 3 watts of audio output for noisy environments • Large 6 digit backlit LCD display for excellent visibility • 200 memory channels for serious users

FT-65R | 144/430 MHz Transceiver
 Compact Commercial Grade Rugged Design • Large Front Speaker Delivers 1W of Powerful Clear Audio • 5 Watts of Reliable RF Power With-in a compact Body • 3.5-Hour Rapid Charge Included • Large White LED Flashlight, Alarm and Quick Home Channel Access



FTDX101D | HF + 6M Transceiver
 • Narrow Band SDR & Direct Sampling SDR • Crystal Roofing Filters Phenomenal Multi-Signal Receiving Characteristics • Un-parallelled -70dB Maximum Attenuation VC-Tune • 15 Separate (HAM 10 + GEN 5) Powerful Band Pass Filters • New Generation Scope Displays 3-Dimensional Spectrum Stream



FT-818ND | HF/6M/2M/440 All Mode Portable Xcvr
 • Ultra-Compact/Portable • Multi-Color Easy to See LCD • 208 Memory Channels/10 Memory Groups • Built-in Electronic Keypad • Internal Battery Operation Capability • Two Antenna Connectors • Built-in High Stability Oscillator $\pm 0.5\text{ ppm}$



FTM-6000R | 50W VHF/UHF Mobile Transceiver
 • All New User Operating Interface E20-III (Easy to Operate-III) • Robust Speaker Delivers 3W of Clear, Crisp Receive Audio • Detachable Front Panel • Mounted in Multiple Positions • Supports Optional Bluetooth® Wireless Operation Using the SSM-BT10 or a Commercially Available Bluetooth® Headset



• RETAIL LOCATIONS - Store hours 10:00AM - 5:30PM - Closed Sunday
 • PHONE - Toll-free phone hours 9:30AM - 5:30PM
 • ONLINE - WWW.HAMRADIO.COM

• FAX - All store locations
 • MAIL - All store locations

YAESU
 The Radio

ANAHEIM, CA (800) 894-8046
 PLANO, TX (877) 892-1745
 SAN DIEGO, CA (877) 520-9823

SACRAMENTO, CA (800) 559-7388
 PORTLAND, OR (800) 765-4287
 DENVER, CO (800) 444-9476

PHOENIX, AZ (800) 559-7388
 ATLANTA, GA (800) 444-7927

MILWAUKEE, WI (800) 559-0471
 NEW CASTLE, DE (800) 644-4476

WOODBRIDGE, VA (800) 444-4799
 SALEM, NH (800) 444-0047

WINTER SPRINGS, FL (800) 327-1917

WWW.HAMRADIO.COM